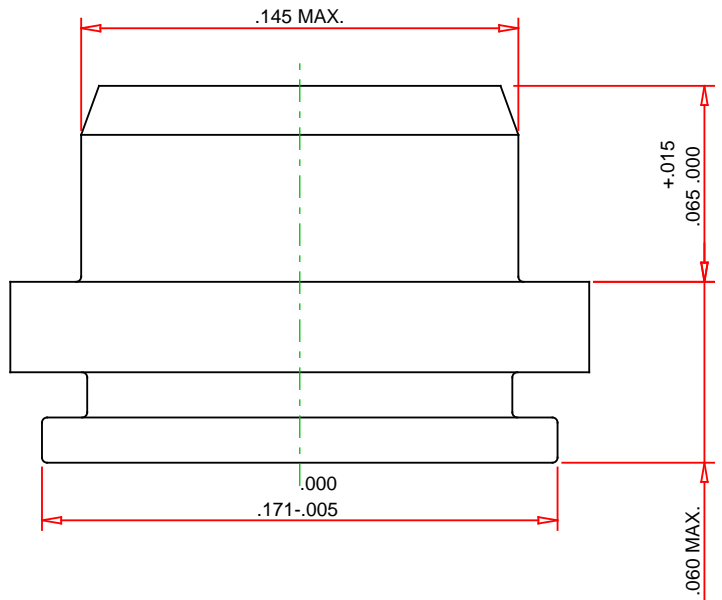
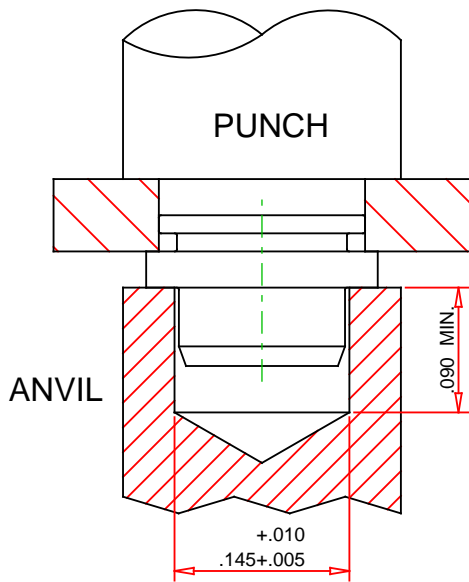


RECOMMENDED
INSTALLATION
TOOLING



© 2019 PennEngineering

ALL DIMENSIONS IN INCHES

DATE 3-DEC-2019

NOTE : DRAWING NOT TO SCALE

THREAD : .112-40 (#4-40)	MOUNTING HOLE DIA. : .172 +.003 -.000
MATERIAL: 300 SERIES STAINLESS STEEL	PANEL THICKNESS: .059 to .070
HEAT TREAT: NONE	MAX. PANEL HARDNESS: HRB 70 / HB 125
FINISH: BLACK, DRY-FILM LUBRICANT	MIN CENTERLINE-TO-EDGE: 0.14

DESCRIPTION :
MINIATURE SELF-CLINCHING FASTENERS - TYPES U, UL,
FE, FEO, FEOX, FEX - UNIFIED



PennEngineering®

PART NO. :

FE-440MD

EMAIL: TECHSUPPORT@PEMNET.COM
WWW.PEMNET.COM