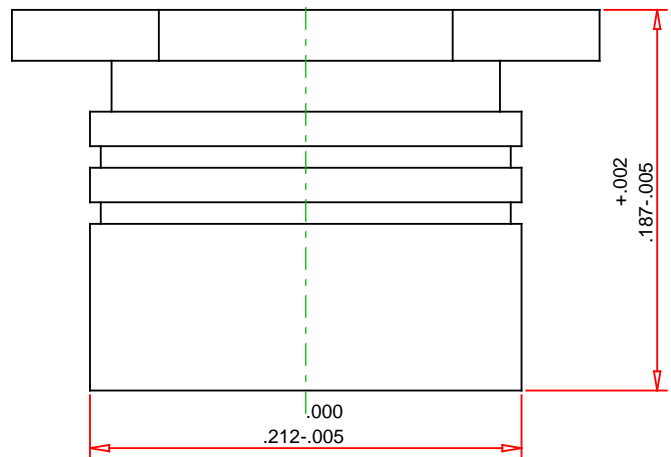
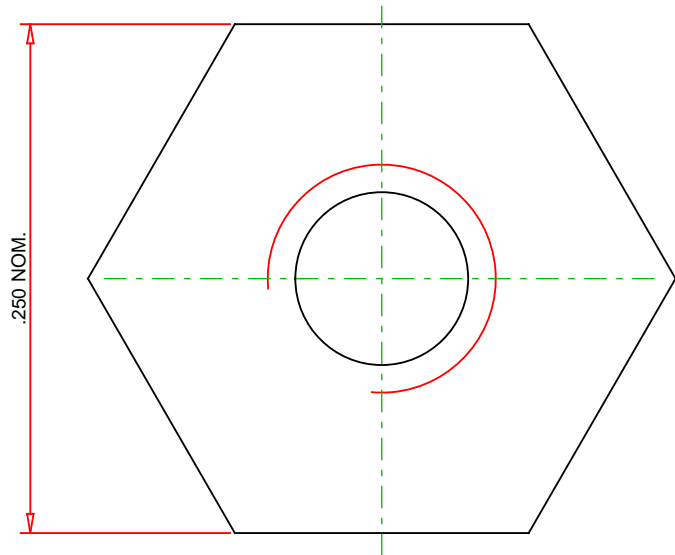
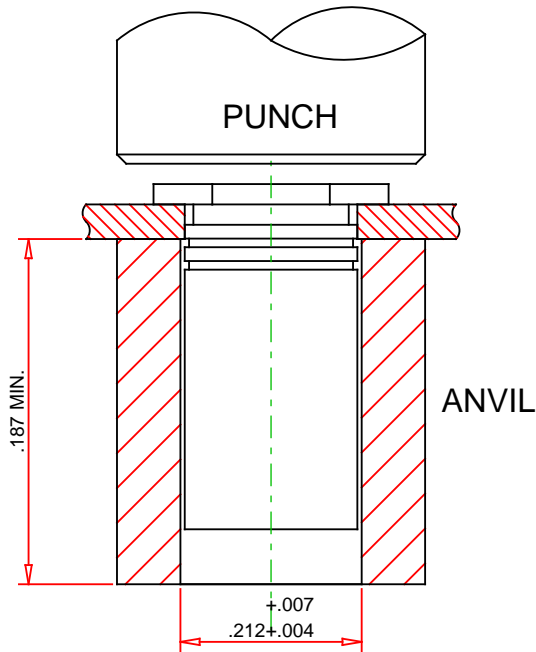


RECOMMENDED  
INSTALLATION  
TOOLING




© 2019 PennEngineering

ALL DIMENSIONS IN INCHES

DATE 2-DEC-2019

NOTE : DRAWING NOT TO SCALE

THREAD :	.112-40 (#4-40)	MOUNTING HOLE DIA. :	.213 +.003 -.000
MATERIAL:	ALUMINUM	PANEL THICKNESS:	.040 MINIMUM
HEAT TREAT:	NONE	MAX. PANEL HARDNESS:	HRB 50 / HB 82
FINISH:	D	MIN CENTERLINE-TO-EDGE:	0.27
DESCRIPTION :	THRU-HOLE THREADED STANDOFFS - TYPES SO, SOA, SOS - UNIFIED	 <b>PennEngineering®</b>	
PART NO. :	SOA-6440-6		
		EMAIL: <a href="mailto:TECHSUPPORT@PEMNET.COM">TECHSUPPORT@PEMNET.COM</a> WWW.PEMNET.COM	