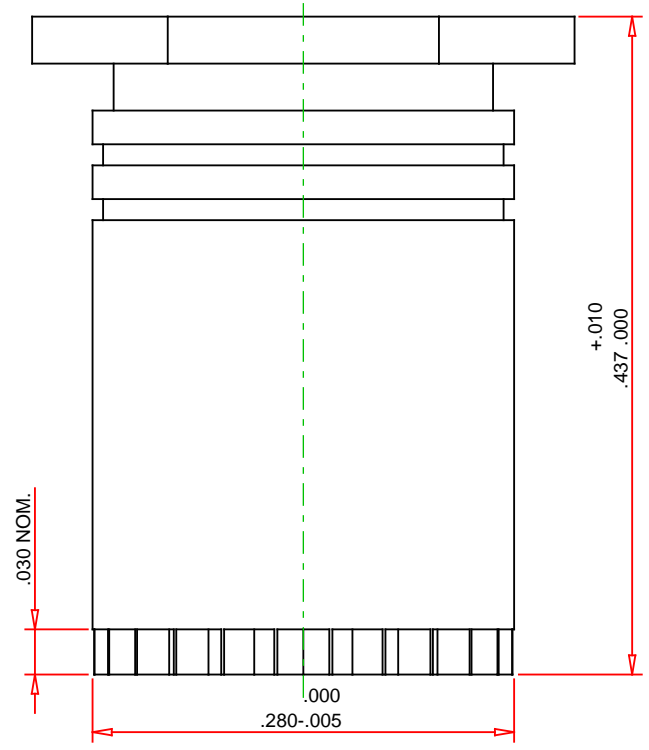
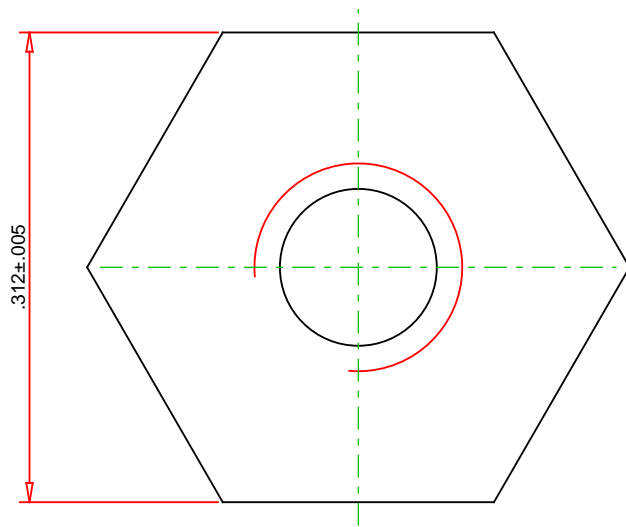
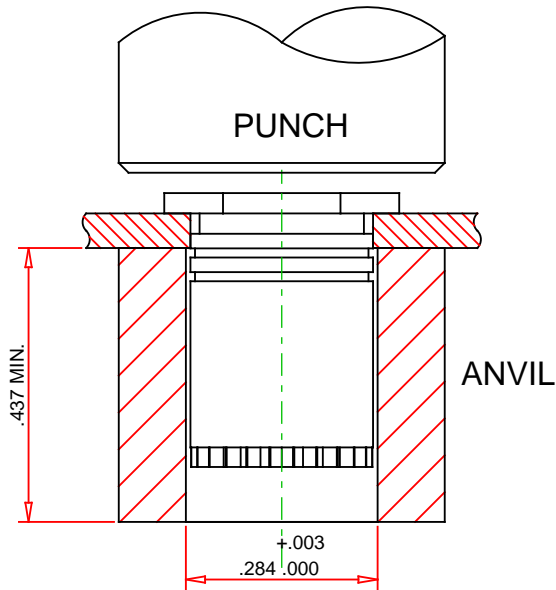


RECOMMENDED
INSTALLATION
TOOLING



© 2019 PennEngineering

ALL DIMENSIONS IN INCHES

DATE 2-DEC-2019

NOTE : DRAWING NOT TO SCALE

THREAD : .138-32 (#6-32)

MOUNTING HOLE DIA. : .281 +.003 -.000

MATERIAL: 300 SERIES STAINLESS STEEL

PANEL THICKNESS: .050 MINIMUM

HEAT TREAT: NONE

MAX. PANEL HARDNESS: HRB 70 / HB 125

FINISH: Passivated and/or tested per ASTM A380

MIN CENTERLINE-TO-EDGE: 0.31

DESCRIPTION :
GROUNDING STANDOFFS - TYPES SOSG, SOAG - UNIFIED



PennEngineering®

PART NO. :
SOSG-8632-14

EMAIL: TECHSUPPORT@PEMNET.COM
WWW.PEMNET.COM