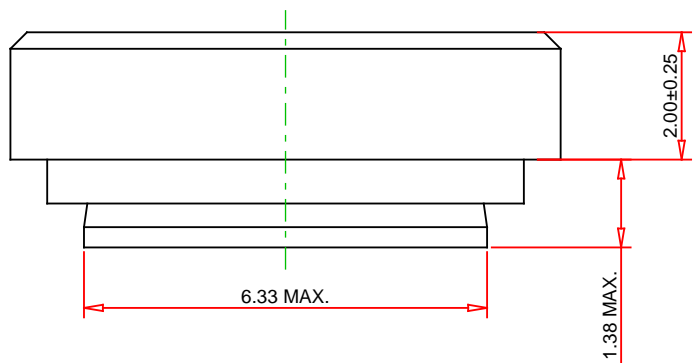
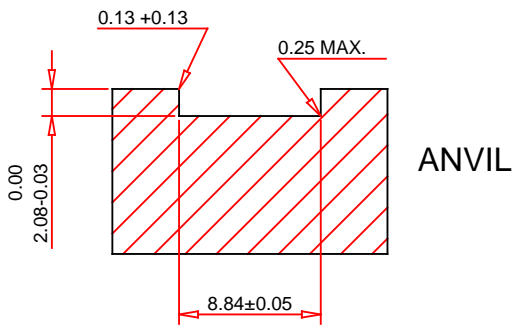
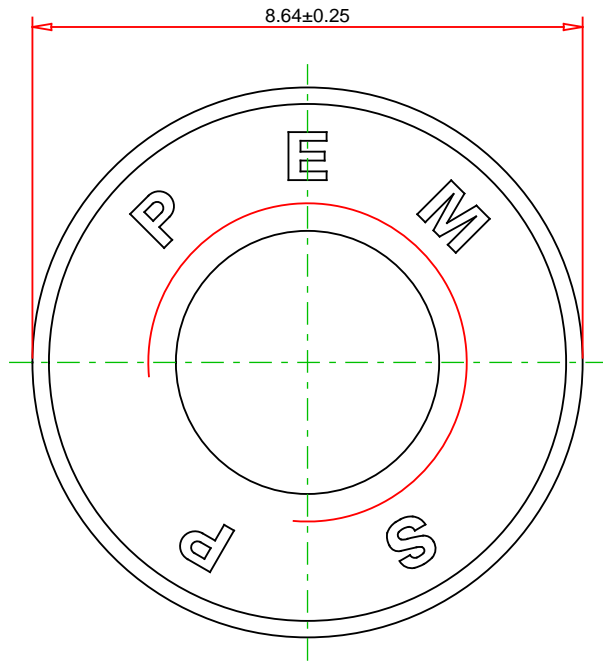
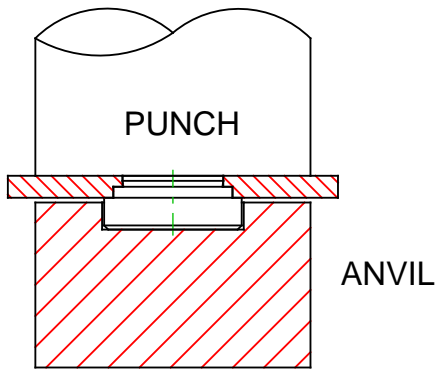


RECOMMENDED
INSTALLATION
TOOLING




FOR SP TYPE PRODUCTS THAT HAVE A "SINGLE RING" MARKING ON THE BARREL,
PLEASE REFER TO PEM® BULLETIN CL FOR INSTALLATION INFORMATION.

© 2019 PennEngineering

ALL DIMENSIONS IN MILLIMETERS

DATE 27-NOV-2019

NOTE : DRAWING NOT TO SCALE

THREAD :	M5 x 0.8	MOUNTING HOLE DIA. :	6.35 +0.08 -0.00
MATERIAL:	AGE HARDENED STAINLESS STEEL	PANEL THICKNESS:	1.4 MINIMUM
HEAT TREAT:	NONE	MAX. PANEL HARDNESS:	HRB 90 / HB 185
FINISH:	Passivated and/or tested per ASTM A380	MIN CENTERLINE-TO-EDGE:	7.1
DESCRIPTION :	SELF-CLINCHING NUTS - TYPES S, SS, CLS, CLSS, SP - METRIC	 PennEngineering®	
PART NO. :	SP-M5-2		
		EMAIL: TECHSUPPORT@PEMNET.COM WWW.PEMNET.COM	